

PRODUCT TECHNICAL SHEET

Collection : **1921**

Ref. : **1921.--.15**

Mélangeur lavabo pont droit sur plan, sans vidage

2-gats wastafel brugmengkraan, zonder lediging

2-hole washbasin bridge mixer, without pop-up waste

Picture

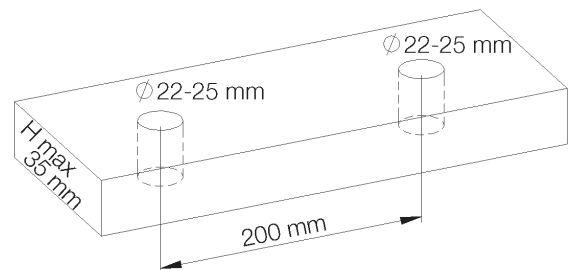
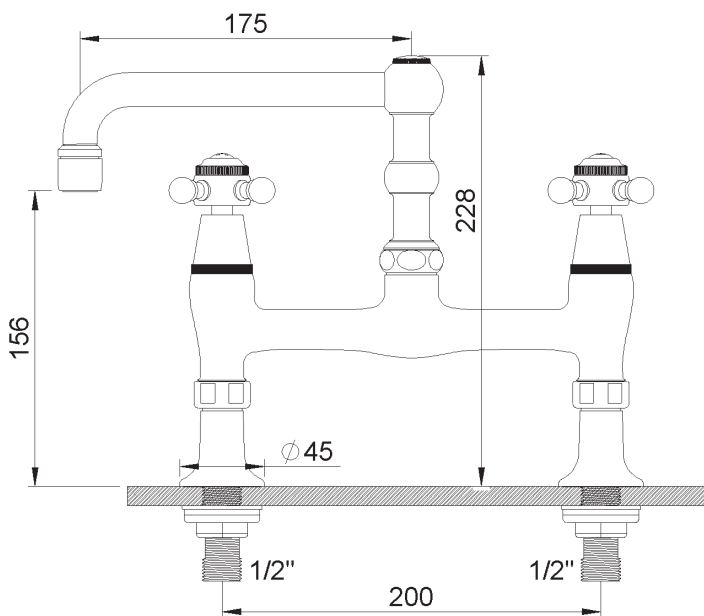
Product details



Flow at 3 bar : Restricted 7,5 l/min

Internal mechanism : Ceramic valve 1/4 turn

Technical drawing



RA1.V01